

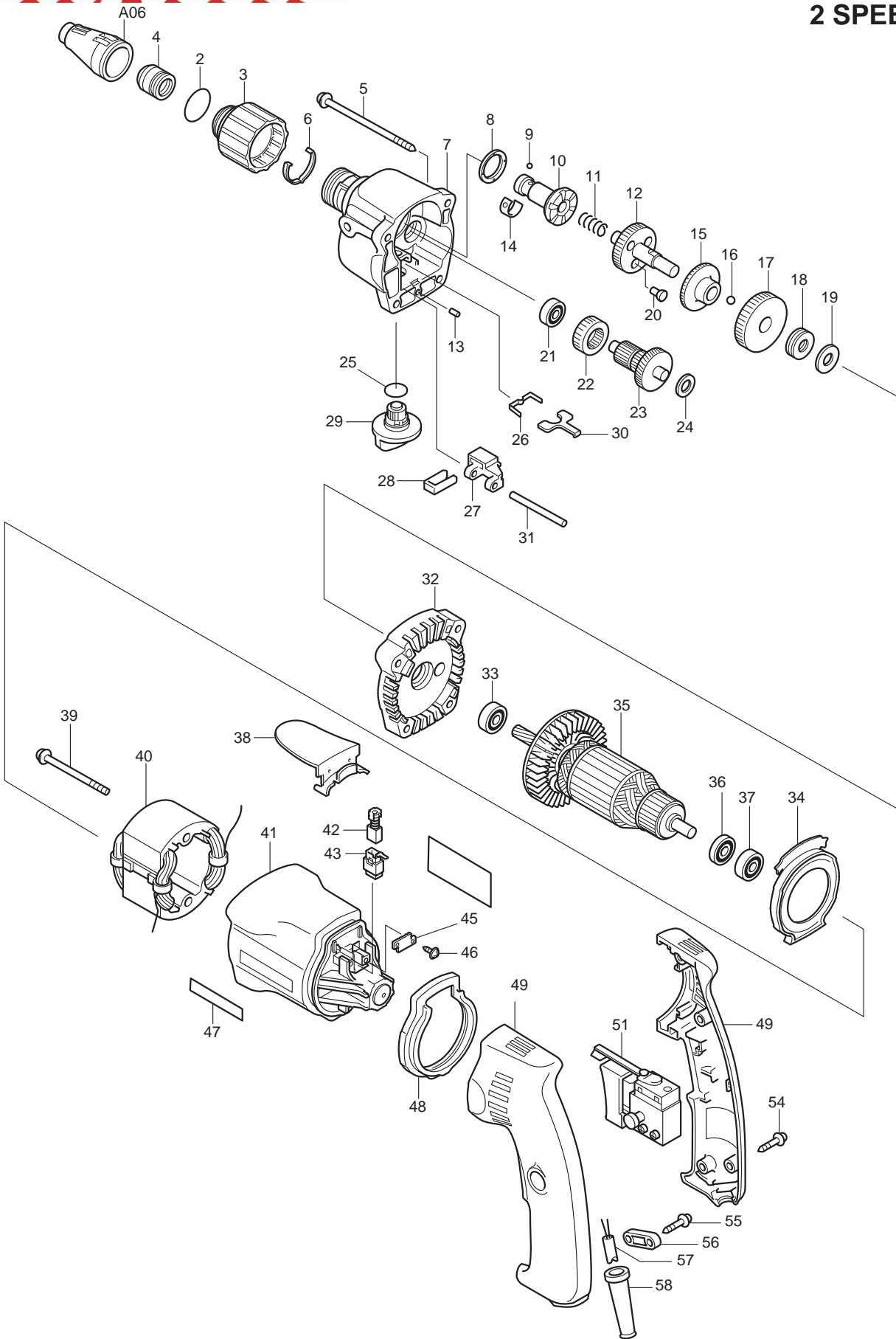


02 - 2010

6807

1/4" SCREWDRIVER

2 SPEED



Item No.	Type	Sub	Part No.	Description	Qty	Unit
2			213373-4	O RING 22	1	PC.
3			416670-9	LOCK RING	1	PC.
4			421631-6	DUST SEAL RING	1	PC.
5			266056-5	TAPPING SCREW 5X45	4	PC.
6			232154-7	LEAF SPRING	1	PC.
7			150944-5	GEAR HOUSING COMPLETE	1	PC.
		INC.	213154-6	O RING 14	1	PC.
		INC.	263002-9	RUBBER PIN 4	1	PC.
8			421392-8	RING 20	1	PC.
9			216001-0	STEEL BALL 3.5	1	PC.
10			223126-3	SPINDLE A	1	PC.
11			233232-6	COMPRESSION SPRING 6	1	PC.
12			153261-2	GEAR COMPLETE	1	PC.
13			256226-4	PIN 4	1	PC.
14			232050-9	LEAF SPRING	1	PC.
15			226375-1	SPUR GEAR 34	1	PC.
16			216008-6	STEEL BALL 4	3	PC.
17			226374-3	SPUR GEAR 44	1	PC.
18			212042-4	THRUST NEEDLE BEARING 821	1	PC.
19			261111-8	URETHANE WASHER 8	1	PC.
20			256467-2	SHOULDER PIN 4 (OLD# 256439-7 - N/L/A)	3	PC.
21			211014-6	BALL BEARING 606	1	PC.
22			226372-7	SPUR GEAR 23	1	PC.
23			153262-0	GEAR COMPLETE 13-36	1	PC.
24			253865-1	FLAT WASHER 8	1	PC.
25			213162-7	O RING 14	1	PC.
26			232143-2	LEAF SPRING	1	PC.
27			416671-7	RACK 7	1	PC.
28			344668-5	CHANGE PALTE	1	PC.
29			416669-4	CHANGE LEVER	1	PC.
30			344178-2	LOCK PLATE	1	PC.
31			256268-8	PIN 4	1	PC.
32			150945-3	GEAR HOUSING COVER COMPLETE	1	PC.
33			210005-4	BALL BEARING 608DDW	1	PC.
34			413073-8	BAFFLE PLATE	1	PC.
35			517276-7	ARMATURE ASS'Y 115V	1	PC.
		INC.	241850-6	FAN 60	1	PC.
		INC.		Item No. 33,36,37		
36			681614-0	INSULATION WASHER	1	PC.
37			210025-8	BALL BEARING 627LLB	1	PC.
38			344669-3	HOOK	1	PC.
39			266052-3	TAPPING SCREW 4X60	2	PC.
40			633416-0	FIELD 115V	1	PC.
41			415601-5	MOTOR HOUSING	1	PC.
42	1		191927-6	CARBON BRUSH CB-407 2PC/SET (W/O ORIGIN)	1	SET
	2		195007-0	CARBON BRUSH CB-407 2PC/SET (W/ ORIGIN)	1	SET
43			643923-5	BRUSH HOLDER	2	PC.
45			415622-7	BRUSH HOLDER PLATE	2	PC.
46			266007-8	TAPPING SCREW BIND PT 3X10	4	PC.
47			819063-3	MAKITA LABEL	1	PC.
48			421630-8	CUSHION RUBBER	1	PC.
49			183047-0	HANDLE SET	1	SET
51			651986-7	SWITCH TG803TLB-1 (OLD# 651987-5 - N/L/A)	1	PC.
54			265995-6	TAPPING SCREW 4X18	5	PC.
55			265995-6	TAPPING SCREW 4X18	2	PC.
56			687063-9	CORD CLAMP	1	PC.

Item No.	Type	Sub	Part No.	Description	Qty	Unit
57			664064-4	CORD W/PLUG 2P-18-2.5, SJ	1	PC.
58			682502-4	CORD GUARD 8-85	1	PC.
100			654126-6	TAB	2	PC.
102			654069-2	RECEPTACLE	2	PC.
<u>ACCESSORIES</u>						
A01	1		152490-4	GRIP 36 COMPLETE - N/L/A	1	PC.
	2		153489-2	GRIP 36 COMPLETE	1	PC.
A02			784211-2	PHILLIPS INSERT BIT 2-25	1	PC.
A03			784638-6	HEX. BIT 5-75	1	PC.
A04			784807-9	MAGNETIC CONNECT BIT 6.35-60	1	PC.
A05			824608-4	PLASTIC CARRYING CASE (OLD# 824449-8 - N/L/A)	1	PC.
		INC.	417496-2	LATCH	2	PC.
		INC.	417497-0	HANDLE	1	PC.
A06			152483-1	LOCATOR COMPLETE 1/4"	1	PC.
			151662-8	LOCATOR COMPLETE 3/8" (OPTION)	1	PC.